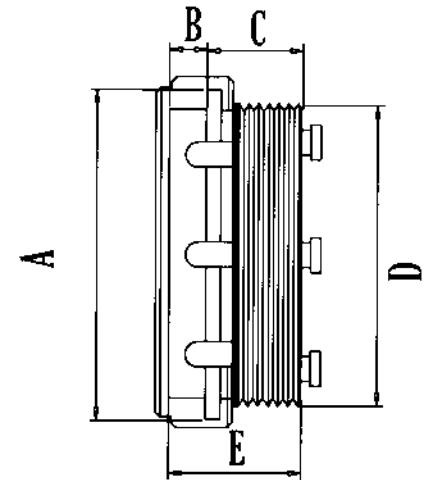


SCKT



PLUG

All threads 1.5 mm pitch

	SCKT 40	SCKT 50	SCKT 70	SCKT 75	PLUG 40	PLUG 50	PLUG 70	PLUG 75
A	32 mm	40 mm	58 mm	65 mm	35 mm	43.5 mm	62.5 mm	65 mm
B	13 mm	13 mm	13 mm	13 mm	8 mm	8 mm	8 mm	8 mm
C	10 mm	10 mm	10 mm	10 mm	19 mm	19 mm	19 mm	19 mm
D	10 mm	10 mm	10 mm	10 mm	32 mm	40 mm	58 mm	65 mm
E	38 mm	46 mm	65 mm	72 mm	27 mm	27 mm	27 mm	27 mm

Drwg no	MCH-PS
Date	27-3-02
Drwn by	JG

PNEU - THERM LTD

MC & MCH PLUG & SOCKET